

Huvitz



HUVITZ Mini Refraction Table
HJT-5000

More Compact !
More Beautiful & Comfort !

COMPACT UNIT TABLE HJT-5000. MAKE IT COMPACT AND EXPERT.

SPECIFICATION

Dimension	740(W) X 504(D) X 1575(H)mm
Table dimension	714(W) X 504(D)mm
Drawer dimension	385(W) X 355(D) X 52(H)mm
Table Up/Down movement	620mm ~ 930mm
Arm rotation angle	90°
Lamp	LED Lamp 3W
Power supply	AC 100~120V, 3A 50/60Hz AC 200~240V, 2.5A 50/60Hz
Power consumption	75W (Max)
Weight	60Kg



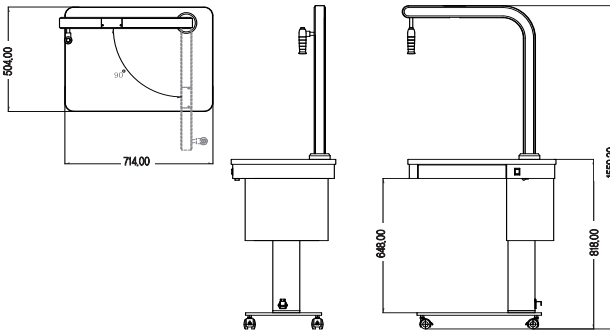
TABLE UP-DOWN FUNCTION

Ergonomic designed table up-down by using simple button helps comfort examine.



ARM

Arm rotation angle until 90 degree could make most economical usage of space



Designs and details can be changed without prior notice for the purposes of improvement.

Huvitz Building 689-3, Geumjeong-dong
Gunpo-si, Gyeonggi-do, 435-862, Korea

Tel : +82-31-442-8868

Fax : +82-31-477-8617

http :// www.huvitz.com



HUVITZ Mini Refraction Table HJT-5000

More Compact !
More Beautiful & Comfort !

Huvitz *Re:define. Re+create*