

REFRACTOR-KERATOMETER RC-5000

ELECTRONIC-CONTROLLED

DELIGHT IN SIGHT

Ultimate precision and comfort.
Only a touch away.



- Central + peripheral K-values
- Pupil + cornea \varnothing measurement
- Power motion joystick

- Auto alignment + auto shot
- Colour touch screen

 **TOMEY**
TECHNOLOGY AND VISION

THE TOMHEY REFRACTOR-KERATOMETER RC-5000



QUALITY IN DETAIL

Refractor-Keratometer with touch screen

The RC-5000 sets the standard of modern eye diagnostic. Thanks to the electronic controlled movement you can operate and align the RC-5000 through both – power motion joystick and/or touch screen – all this in fraction of seconds. Highly accurate measurements combined with the very short examination time and easy handling makes working with the TOMHEY RC-5000 professional and quick.

Colour Touch Screen: The 5.7 inch colour touch screen is used as operating monitor as well as for displaying all measured values. You can even move the head in all directions by simply touching the screen. All commands can be done via touch screen.

Pupil + cornea \emptyset measurement : Once you have captured your patients' eye you can set the pupil and cornea measurement bars to individual diameters. These values will also be stored, displayed and printed.

Auto alignment + auto shot: The handling of the RC-5000 is very easy – by aligning the optical head towards the patients' eye the fine adjustment and automatic shot is automatically taken over by the instrument itself. Moving from right to left eye is done just with a tip on the screen.

Central + peripheral K-values: The RC-5000 provides you the central (\emptyset 3 mm) and peripheral (\emptyset 6 mm) keratometer readings measured at one time within a second. You can take these readings from a cornea or the back surfaces of a RGP contact lens.

SPECIFICATIONS

REFRACTIVE POWER MEASUREMENT

Spherical refractive power (S)

Measurement range -25.00 D to +22.00 D (at VD = 12.0 mm)
Display unit 0.01 D, 0.12 D, 0.25 D

Cylindrical refractive power (C)

Measurement range 0 D to ± 10.00 D (at VD = 12.0 mm)
Display unit 0.01 D, 0.12 D, 0.25 D

Astigmatism axial (A)

Measurement range 0° to 180°
Display unit 1°

CORNEAL CURVATURE MEASUREMENT (K1, K2, AVG)

Measurement range 5.00 mm to 11.00 mm / 30.68 D to 67.50 D (n=1.3375)
Display unit 0.01 mm

CORNEAL ASTIGMATISM AND AXIS (C, A)

Measurement range (C) 0 D to 10 D (n=1.3375)
Measurement range (A) 0° to 180°
Measurement area cornea \emptyset 3.0 mm / 6.0 mm (at 8.00 mm corneal curvature)

PD range 50 mm to 86 mm
Minimum pupil diameter \emptyset 2.2 mm
Vertex distance 0 mm - 16.0 mm

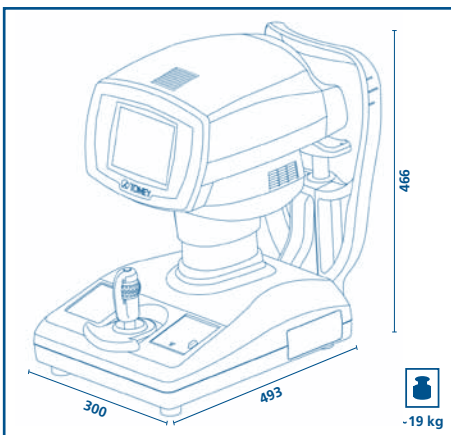
MAIN UNIT

Built-in printer Thermal printer
Output RS 232 C
Display 5.7" colour TFT
Chin rest electr. controlled

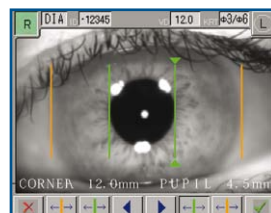
DIMENSIONS & ELECTRIC REQUIREMENTS

Dimensions WDH 300 x 493 x 466 mm
Weight Approx. 19.0 kg
Voltage 100 VAC to 240 VAC
Frequency 50/60 Hz
Power consumption 130 VA to 150 VA

DIMENSIONS



Auto alignment



Pupil & cornea measurement



Power motion joystick

2012/04 - subject to change without notice

TOMEY EUROPE

TOMEY GmbH

Am Weichselgarten 19a
91058 Erlangen, Germany

Phone +49 9131 77710, Fax +49 9131 777120

Email info@tomey.de

TOMEY ASIA-PACIFIC

TOMEY CORPORATION JAPAN

2-11-33 Noritakeshinmachi
Nishi-ku, Nagoya 451-0051, Japan

Phone +81 52 581 5327, Fax +81 52 561 4735

Email intl@tomey.co.jp

TOMEY
TECHNOLOGY AND VISION

www.tomey.de